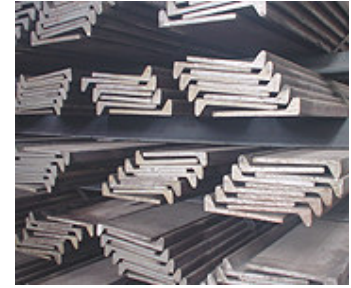


Bulb flat



Definition

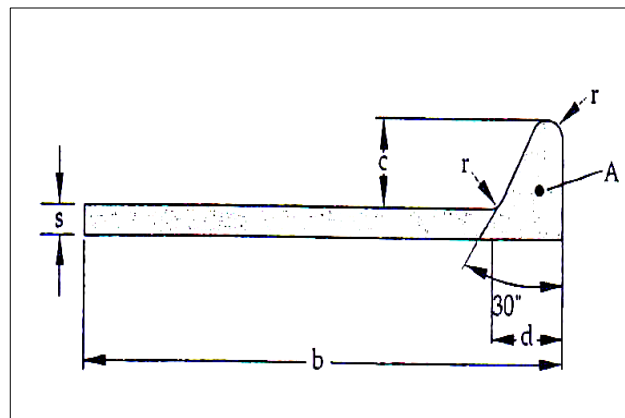
The Bulb flat is a hot laminated steel product with a bulb in one or both of its edges. We produce bulb flats according to the 3.1.B and International Certification Societies (DNV, BV, GL, ...)

We perform laboratory tests following the corresponding international Standard and we also agree with the customer the specific tests and inspections that must be done to the product.

This product is delivered with the following dimensions:

BULB FLAT							
DESIGNATION	b (mm)	s (mm)	c (mm)	d (mm)	r (mm)	Area A (cm ²)	Weight (Kg/m)
HP 80 x 5	80	5	14	13,2	4,0	5,41	4,25
HP 80 x 6	80	6	14	13,2	4,0	6,21	4,88
HP 100 x 6	100	6	15,5	14,8	4,5	7,74	6,08
HP 100 x 7	100	7	15,5	14,8	4,5	8,74	6,86
HP 100 x 8	100	8	15,5	14,8	4,5	9,75	7,65
HP 120 x 6	120	6	17	17,7	5,0	9,32	7,32
HP 120 x 7	120	7	17	17,7	5,0	10,52	8,26
HP 120 x 8	120	8	17	17,7	5,0	11,72	9,2
HP 140 x 7	140	7	19	19,7	5,5	12,43	9,75
HP 140 x 8	140	8	19	19,7	5,5	13,83	10,85
HP 140 x 10	140	10	19	19,7	5,5	16,63	13,05
HP 160 x 7	160	7	22	22,2	6,0	14,6	11,46
HP 160 x 8	160	8	22	22,2	6,0	16,2	12,72
HP 160 x 9	160	9	22	22,2	6,0	17,8	13,97
HP 180 x 8	180	8	25	25,5	7,0	18,86	14,8
HP 180 x 9	180	9	25	25,5	7,0	20,66	16,22
HP 180 x 10	180	10	25	25,5	7,0	22,46	17,63
HP 200 x 9	200	9	28	28,8	8,0	23,66	18,57
HP 200 x 10	200	10	28	28,8	8,0	25,66	20,14
HP 200 x 12	200	12	28	28,8	8,0	29,66	23,28
HP 220 x 10	220	10	31	32,1	9,0	29,00	22,77
HP 220 x 12	220	12	31	32,1	9,0	33,40	26,22
HP 240 x 10	240	10	34	35,4	10,0	32,49	25,5
HP 240 x 11	240	11	34	35,4	10,0	34,89	27,39
HP 240 x 12	240	12	34	35,4	10,0	37,29	29,27
HP 260 x 10	260	10	37	38,7	11,0	36,11	28,35
HP 260 x 11	260	11	37	38,7	11,0	38,71	30,39
HP 260 x 12	260	12	37	38,7	11,0	41,31	32,43
HP 280 x 11	280	11	40	42,0	12,0	42,68	33,5
HP 280 x 12	280	12	40	42,0	12,0	45,48	35,7
HP 300 x 11	300	11	43	45,3	13,0	46,78	36,7
HP 300 x 12	300	12	43	45,3	13,0	49,79	39,09
HP 300 x 13	300	13	43	45,3	13,0	52,79	41,44
HP 320 x 12	320	12	46	48,6	14,0	54,25	42,6

HP 320 x 13	320	13	46	48,6	14,0	57,45	45,09
HP 340 x 12	340	12	49	52,0	15,0	58,84	46,2
HP 340 x 14	340	14	49	52,0	15,0	65,54	51,5
HP 370 x 13	370	13	53,5	56,9	16,5	69,7	54,7
HP 370 x 15	370	15	53,5	56,9	16,5	77,10	60,5
HP 400 x 14	400	14	58	61,9	18,0	81,48	63,96
HP 400 x 16	400	16	58	61,9	18,0	89,48	70,2
HP 430 x 14	430	14	62,5	66,8	19,5	89,70	70,6
HP 430 x 15	430	15	62,5	66,8	19,5	94,19	73,9
HP 430 x 17	430	17	62,5	66,8	19,5	102,79	80,7



- OTHER DIMENSIONS OR GRADES, PLEASE CONTACT US. All bulb flats will be delivered with the right markings to identify them (heat number, dimensions, material,...)

Documents annexed to the product:

With the final product you could get the following documents:

- 3.1.B Material certificate (Certificate given by the Factory)
 - 3.1.C Material certificate following the Standard Rules and also including the tailor made tests on demand of the customer (Certificate given by an international certification company DNV, GL, Lloyds, BV, ...)
 - ISLAS GLOBAL Certificate of Inspection, detailing all the ISLAS GLOBAL inspections over the product including photos, results of laboratory tests performed and explaining all the steps and conclusions.
 - Dispatch on port report, this document describes the charge on port of the products.
 - Bill of landing.
 - Invoices related to the product.
 - Insurance documents.
- All these documents are included in the L/C agreement and on the contract.
 - The proces are susceptible of change depending on the documents and tests required.

The product could be delivered with additional tests:



- Crystalline Microstructure
- Surface Test
- Hardness
- Impact
- Welding
- Bending
- Etc...